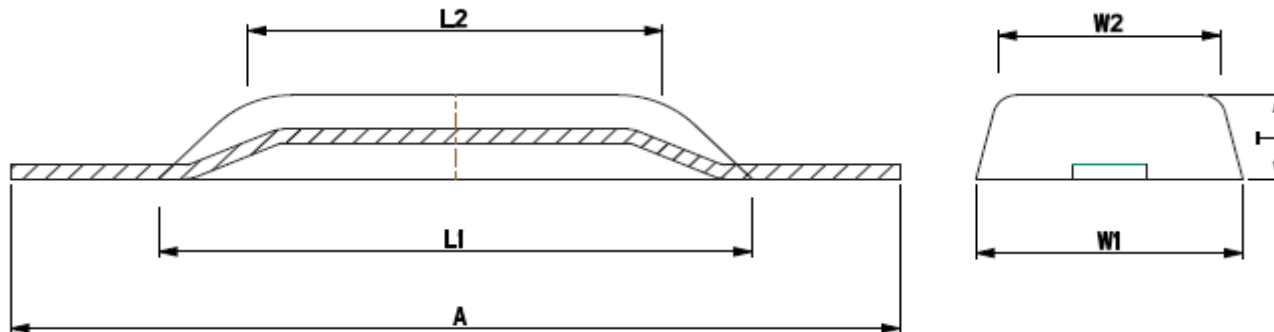




SVM METALS CHENNAI
SACRIFICIAL ANODE – ZINC HULL WELDABLE

TYPE	Overall core len (A) (mm)	Top len (L1) (mm)	Bottom len (L2) (mm)	Top Width (W1) (mm)	Bottom width (W2) (mm)	Thickness (T) (mm)	Zn. Nett.wt. Kgs	Zn . Gross.wt.kgs
Z015WH	240	160	90	80	50	30	1.50	1.80
Z03WH	300	200	140	90	75	30	2.80	3.10
Z05WH	380	300	250	90	75	35	5.10	5.80
Z08WH	460	360	240	125	90	35	7.60	8.20
Z10WH	480	390	350	140	100	35	10.00	10.90
Z13WH	500	400	270	155	130	40	13.00	13.80
Z15WH	660	560	430	135	110	37	15.00	16.20
Z20WH	660	560	430	135	110	50	20.50	21.80
Z25WH	800	700	570	135	110	50	25.60	28.10

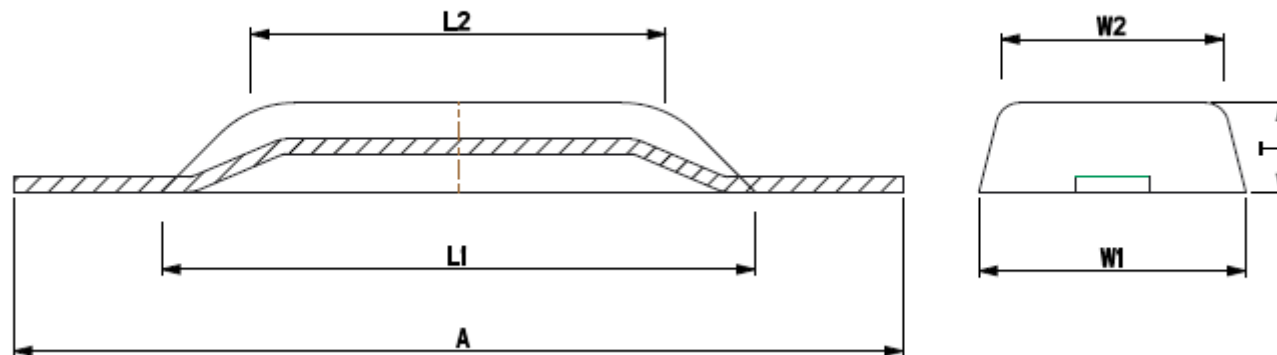




SVM METALS CHENNAI

SACRIFICIAL ANODE - ALUMINIUM -HULL ANODE WELDABLE

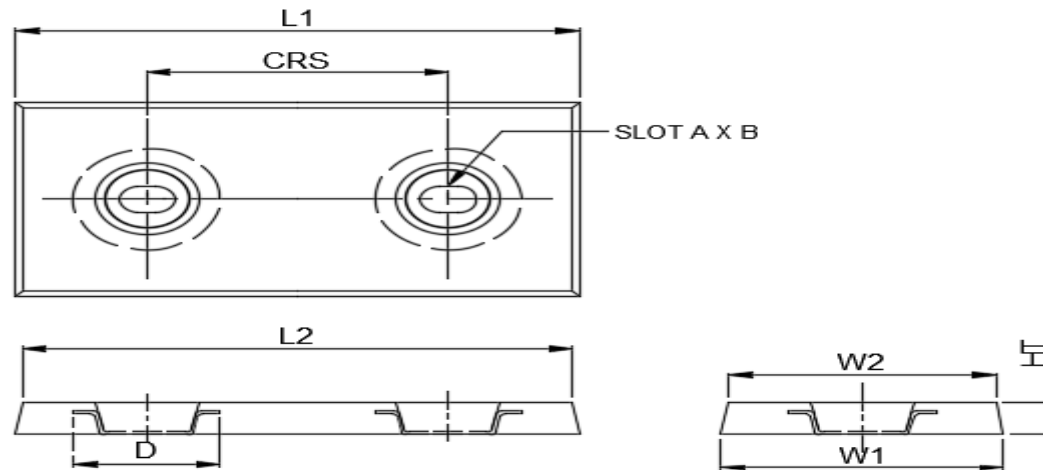
TYPE	Overall core length (A) (mm)	Top length (L1) (mm)	Bottom length (L2) (mm)	Top Width (W1) (mm)	Bottom width (W2) (mm)	Thickness (T) (mm)	Nett.wt. Kgs	Gross.wt .kgs
A01WH	300	200	140	90	75	30	1.10	1.40
A03WH	460	360	240	125	90	35	3.00	3.40
A05WH	500	400	270	155	130	40	5.00	5.80
A08WH	660	560	430	135	110	50	8.00	9.10
A10WH	800	700	570	135	110	50	10.00	11.50
A12WH	890	790	670	135	100	55	12.00	14.70
A15WH	990	880	760	135	125	55	15.00	18.00
A20WH	1040	950	820	145	105	70	20.00	23.10





SVM METALS CHENNAI
SACRIFICIAL ANODE - HULL BOLT MOUNTED - ALUMINIUM

ANODE TYPE	L1	L2	W1	W2	HT	CUP DIA(mm) - D	CRS./SLOT mm A x B	ALUMINIUM ANODES
								Weight kg
A01BH	200	190	100	90	30	58	110/20*14	1.07
A04BH	300	290	150	140	44	78	160/30*20	3.95
A055BH	300	292	150	142	58	78	160/30*20	5.27
A09BH	300	292	200	190	68	78	160/30*20	8.84
A12BH	540	-	140	-	64	78	340/26*22	11.41
A17BH	930	-	170	--	42	78	600/26*22	16.85





SVM METALS CHENNAI
SACRIFICIAL ANODE - HULL BOLT MOUNTED - ZINC

ANODE TYPE	L1	L2	W1	W2	HT	CUP DIA - D (mm)	CRS./SLOT mm A x B	Zinc Weight kg
Z06BH	300	292	150	142	25	78	160/30*20	6.0
Z11BH	300	290	150	140	44	78	160/30*20	10.4
Z12BH	300	292	150	142	48	78	160/30*20	11.5
Z16BH	300	292	150	142	65	78	160/30*20	15.5
Z24BH	300	292	200	190	68	78	160/30*20	23.3

